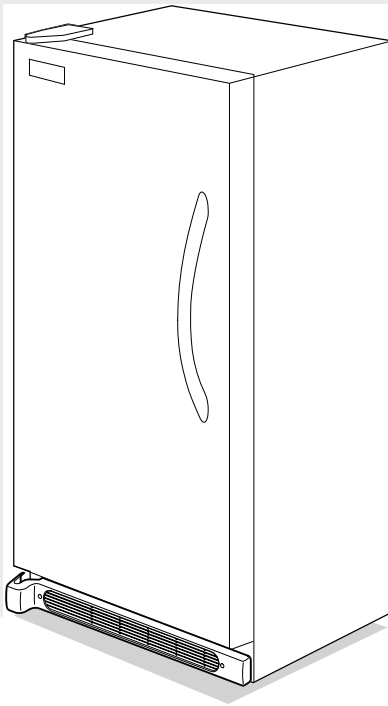


INTERFLEX

INTERNATIONAL

Factory Parts Catalog



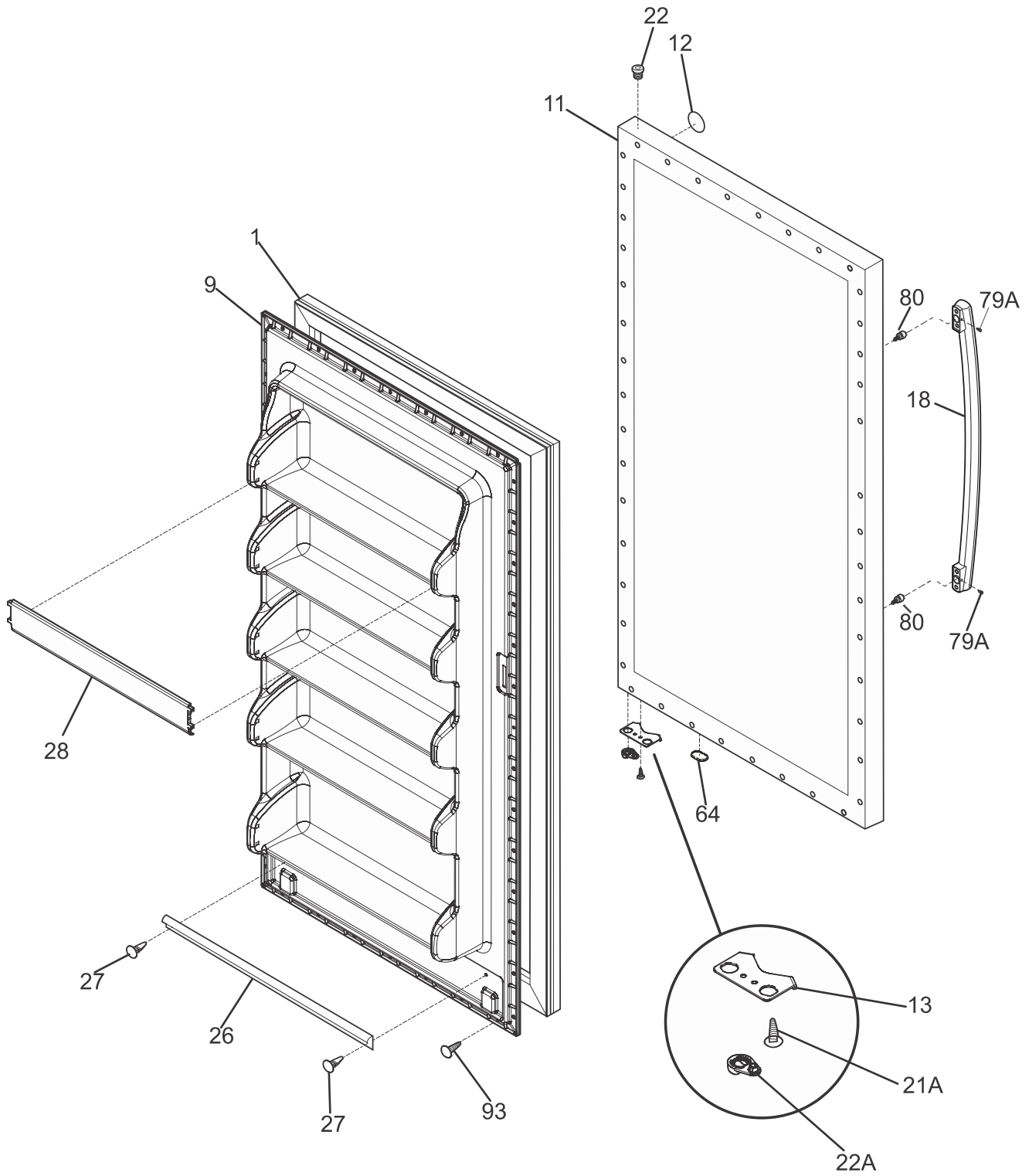
Product No.	MUFF17VLQWA
Series	134A
Color	white
Volts	115
Wiring Diagram	297268000
Owner's Guide	216417700
Market	International

UPRIGHT FREEZER

Model No.
MUFF17VLQW

Publication No.
5995654927
14/12/22
(EN/SERVICE/)
365

DOOR

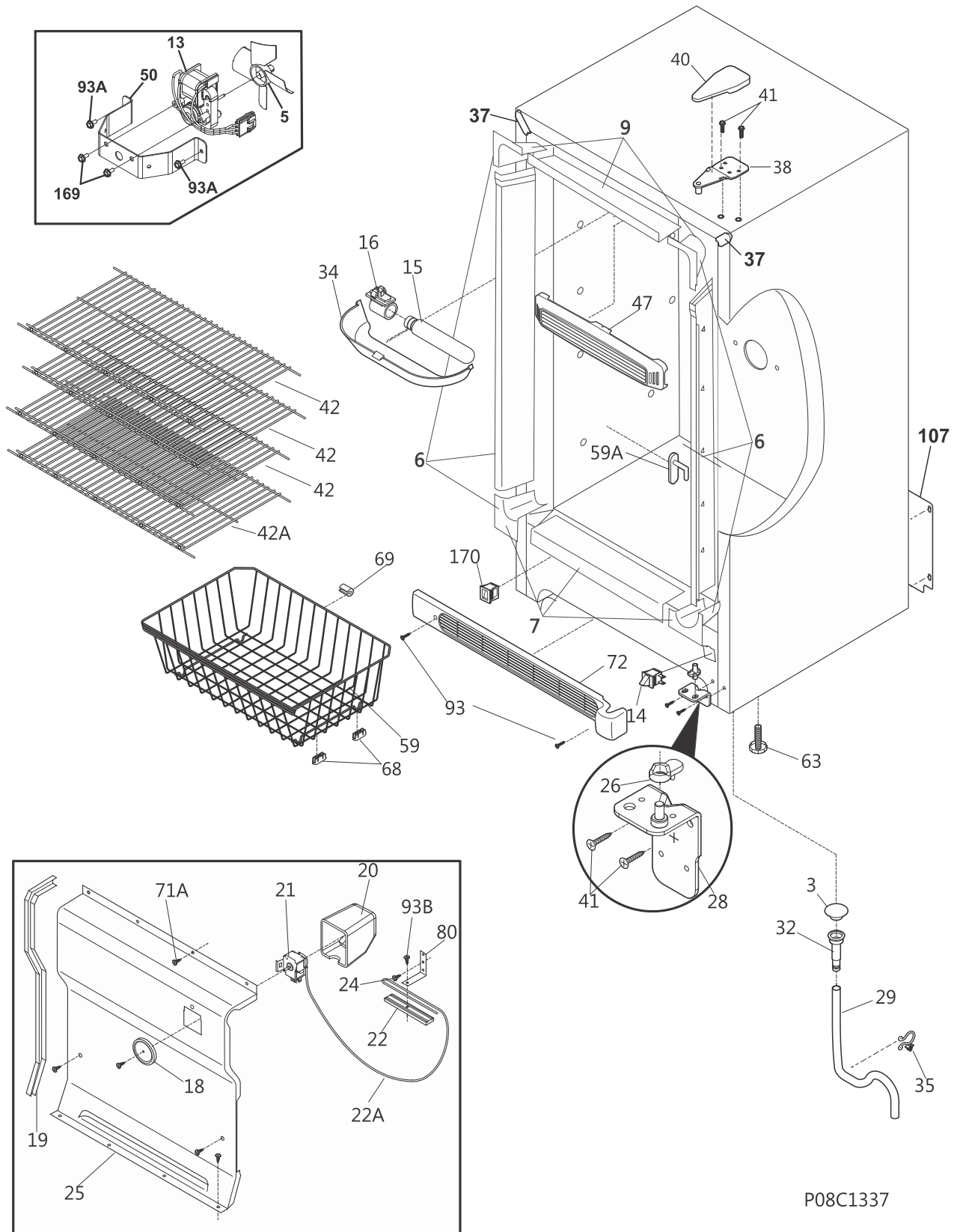


P08D0716

DOOR

POS. NO	PART NO.	DESCRIPTION
1	216522376	Gasket-door, white
9	297382701	Panel-inner door
11	297316562	Panel-outer door, white
12	137095500	Anchor, nameplate
13	297416200	Door Stop
18	242059302	Handle-door, white, w/set screws
*	240537301	Nut-anchor, door hdl screw
21A	297197500	Screw, door stop mtg, FH38-16X.750, P Twin
22	216970802	Bearing, hinge, black, top
22A	297416000	Closer, bearing hinge
26	297387100	Gasket, secondary
27	5304472186	Clip, panel mtg
27*	5304406520	Clip, panel mtg kit, (40)
28	5304494023	Rack, door
41	297236250	Screw, hex head, 1/4-20x5/8, hinge
64	297014702	Plug-button, door base
79A	297295900	Screw-set
80	218755504	Screw, shoulder, #10-AB, handle mounting
93	5304460605	Screw, ph truss head, 8-18AB x 0.500
*	297410600	Screw, 8-18 X .500

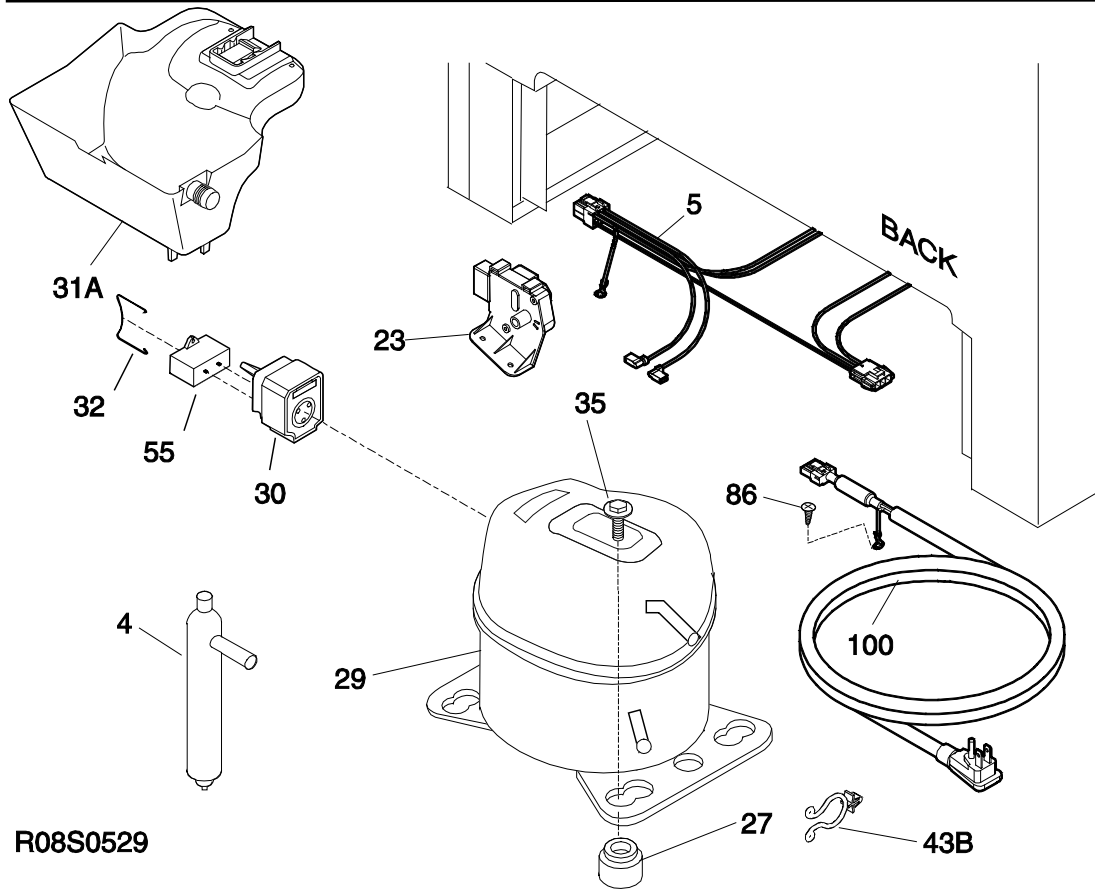
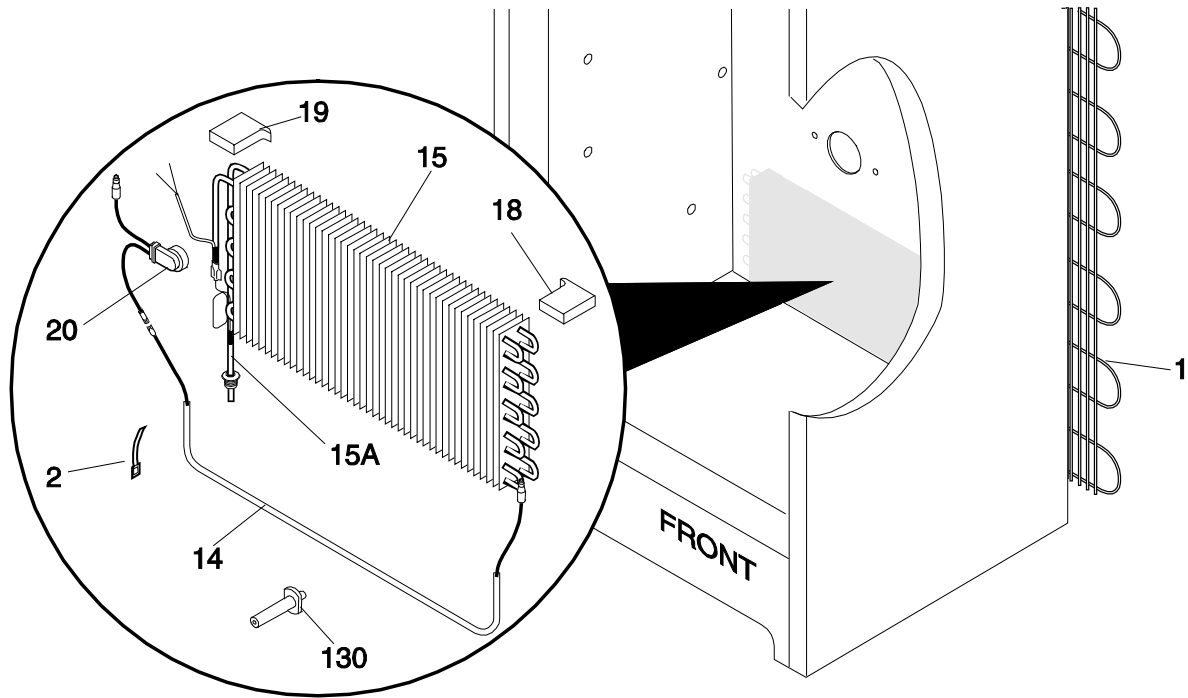
CABINET



CABINET

POS. NO	PART NO.	DESCRIPTION
3	216503100	Screen-drain
5 #	216325600	Fan Blade
6	297435601	Breaker
7	297403902	Breaker, bottom
9	297403901	Breaker, top
13 #	297250010	Motor-fan, 230V
14	216822900	Switch, light/lamp, ramp
15	216867800	Light Bulb/Lamp, 230-250V
16	216817600	Socket, light/lamp, 25 W
*	216876300	Collar, light socket
18	216707200	Knob, temp control
19	216204902	Gasket-evap cover
20	216967201	Cover, temp control
21 #	297216037	Control-temperature
22	216823500	Clamp, cap tube, cold control
22A	297058500	Tube, 10", plastic
24	5304460604	Screw, type A, 10-24 x 3/8
25	297099250	Cover-evaporator
26	297415900	Ramp, door closer
28	297416300	Hinge, 1/2" PIN, bottom RH
29	216313503	Hose-drain
32	297382000	Drain
34	297184400	Shield-light
*	297265801	Wire, light shield
35	216273000	Clip, wire retainer
37	297273900	Trim-cabinet corner, white, (2)
38	297283800	Hinge-upper
40	297164400	Cover-hinge
41	297236250	Screw, hex head, 1/4-20x5/8, hinge
42	297441905	Shelf, 16.69 X 23.88, wire
42A	297441901	Shelf, 14.50 X 23.88, wire
*	216502400	Grommet-shelf mtg
47	297192900	Baffle, air
50	216394050	Bracket, fan motor mount
59	5304497659	Basket
59A	216486500	Stop-basket, (2)
63	216396900	Screw, leveling foot, plastic, adjustable
63*	297164650	Bracket, LH leg levelor
63*	297164651	Bracket, RH leg levelor
68	08009560	Glide-basket
69	5305878546	Bumper-basket
71A	297146820	Screw, 8-18AB x.470 QX
72	297387901	Grille/Kickplate, reversible
80	06594601	Bracket, control
*	5303313703	Clip, wire
93A	297174300	Screw, self pierce, #8, 18x.63
93B	216036601	Screw, RWHD, 8-32A x 0.500, GX-CA
107	297421100	Panel, access
130	297244700	Support, evaporator mtg
169	216912401	Screw, hex washer head, 8-32 x 0.500, bracket fan mtr, (2)
170	297280400	Valve, breather
*	297001704	Insulation, 24", drain tube
*	297268000	Wiring Diagram

SYSTEM



R08S0529

SYSTEM

POS. NO	PART NO.	DESCRIPTION
1 #	5300083897	Condenser
4	216987501	Filter-dryer
2	5308000110	Strap-evap/heater, aluminum, (2)
5 #	297170200	Harness-main
14 #	216730701	Heater-defrost
15 #	297414900	Evaporator
15A	297217900	Heat Exchanger, suct/cap tube
18	297078701	Insulator-evap, styrofoam, RH
19	297078801	Insulator-evap, styrofoam, LH
20	297216600	Thermostat, defrost
23 #	297318050	Timer, defrost, 230V, tab
27	5308002681	Grommet, compressor
29	297002801	Compressor, kit, w/grommets, & welded clip
30	216954207	Controller, compressor
31A	216994101	Pan-drain
32	297359700	Clip, controller
35	297368500	Bolt, compressor
43B	297315800	Clip, wire
55	216985004	Capacitor, run, 5MF
86	216036601	Screw, RWHD, 8-32A x 0.500, GX-CA
100#	297075901	Cord-power, 220V
130	297244700	Support, evaporator mtg
*	297018400	Thermistor
*	297014500	Plug-suction line
*	240555002	Screw-#8-32 X 3/8
*	297174300	Screw, self pierce, #8, 18x.63